



廣昇工業股份有限公司 - 不鏽鋼

Kwang Sheng Industrial Co.,Ltd - Stainless

Factory 1: No. 311, Sec.4, Hai-Tien Rd., Tainan 70966, Taiwan.

Factory 2: No. 353, Sec.3, Gong-Xue Rd., Tainan 70966, Taiwan.

Tel: +886-(0)6-2567357(rep.) Fax: +886-(0)6-2567209

Website: www.kstubes.com/kstube/

G.M.: Mr. Jackaroe Kao Cell: +886-(0)932708185

Email: kstubes@yahoo.com.tw ; kstubes@ms79.hinet.net

Introduction

Kwang Sheng was established in 1973, was located in Tainan city Taiwan. The stainless steel department was set up in 1994. In the stainless steel department, we specialized in the production of stainless steel tubes.

Our main products consist of stainless steel special shape tubes, special size tubes, boiler heat-exchanger tubes, machinery structural and ornamental stainless steel tubes which are made of material 304, 304L, 316, 316L, 409, 430...etc.

We have always provided high quality, diverse and competitive products to meet the customers' needs.

History

- 1973 Kwang Sheng Industrial Co. Ltd. established, producing motorcycle parts.
- 1976 Establish a new plant for produce aluminum parts of textile machine.
- 1980 Producing aluminum parts of motorcycle, and being one of major supplier of Vespa motor.
- 1994 Set up stainless steel tubes factory in Oct. Capacity is 300 tons monthly.
- 1998 Extending more production lines. Capacity increased to 500 tons monthly.
- 2007 Factory 2 set-up. Total capacity increased up to 10,000 tons per year.

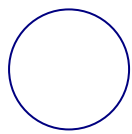
Products Table

- ★ Welded austenitic stainless steel tubes for boiler, heat-exchanger, general service tubing.
- ★ Stainless steel tubes for mechanical and structural purposes.
- ★ Stainless steel rounds tubes.
- ★ Stainless steel square tubes.
- ★ Stainless steel rectangular tubes.
- ★ Stainless steel tubes in oval shape, cross shape, trapezoid shape, etc..
- ★ Stainless steel tubes of special sizes in customer's demand.

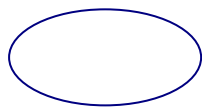
Products Size

- ☆ Rounds tubes : 6.0 mm ~ 100.0 mm.
- ☆ Square tubes : 5 mm ~ 80 mm.
- ☆ Rectangular tubes : 4×6 ~ 50×100.
- ☆ Others : in customer's demand.

Products Shapes



Round



Oval A



Oval B



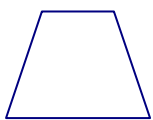
Square



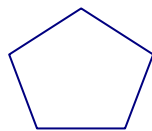
Rectangular



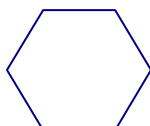
Half-round



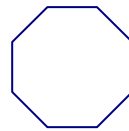
Trapezoid



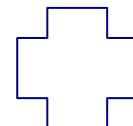
Pentagonal



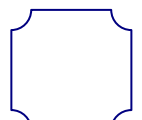
Hexagon







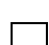
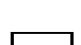
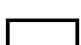
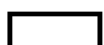


Octagon







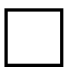
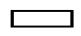
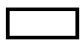
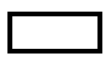




Cross A



Cross B

Round				Square			Rectangular				Oblate		Oval	
5.0 mm		23.0 mm	60.5 mm	5x5		31x31	4x6		15x60	26x51	4.2x12.7		8x12	
6.0 mm		23.5 mm	62.0 mm	6x6		31.8x31.8	5x10		15x65	26x60	5x10		8x16	
6.35 mm		24.0 mm	63.5 mm	6.3x6.3		32.5x32.5	5x15		15x70	27x54	5x15		8x20	
6.5 mm		24.3 mm	65.0mm	6.5x6.5		33x33	6x12		15x75	28x56	6x12		10x15	
6.8 mm		25.0 mm	67.0mm	7x7		35x35	6x14		16x25	28x60	6x14		10x16	
6.9 mm		25.4 mm	68.0 mm	7.5x7.5		36x36	7x14		16x32	30x40	7x14		10x20	
7.0 mm		25.8 mm	70.0 mm	8x8		38x38	8x16		16x40	30x45	8x16		12x20	
7.5 mm		26.0 mm	72.0 mm	8.5x8.5		38.5x38.5	9x18		16x50	30x50	9x18		12x24	
7.3 mm		26.7 mm	74.0 mm	9x9		39.5x39.5	10x15		16x60	30x55	10x15		12x25	
8.0 mm		27.0 mm	75.0 mm	9.5x9.5		40x40	10x20		16x64	30x60	10x20		12x30	
8.5 mm		27.3 mm	76.2 mm	10x10		42x42	10x25		17x28	30x70	10x24		13x20	
9.0 mm		28.0 mm	80.0 mm	11x11		42.5x42.5	10x30		17x34	30x80	10x25		13x22	
9.25 mm		28.6 mm	82.0 mm	12x12		43x43	10x35		18x24	30x90	12x20		13x26	
9.5 mm		29.0 mm	85.0 mm	12.5x12.5		45x45	10x40		18x36	30x100	12x25		14x24	
10.0 mm		29.5 mm	86.0 mm	12.7x12.7		47.5x47.5	10x45		18x65	30x120	12x28		15x22	
10.3 mm		30.0 mm	87.0 mm	13x13		50x50	10x50		19x38	30x150	12x30		15x25	
10.5 mm		30.5 mm	88.0 mm	13.5x13.5		52x52	10x55		19x40	32x50	12x36		15x30	
11 mm		31.0 mm	89.1 mm	14x14		55x55	10x60		20x25	32x64	12x40		19x25.4	
11.5 mm		31.5 mm	90.0 mm	14.5x14.5		60x60	10x65		20x30	35x50	12.7x25.4		19x31.8	
11.8 mm		31.8 mm	95.4 mm	15x15		63.5x63.5	10x70		20x35	35x55	13x25		19x38	
12.0 mm		33.0 mm	100 mm	15.4x15.4		65x65	10x75		20x40	35x60	13x26		20x38	
12.5 mm		33.5 mm	101.4 mm	16x16		70x70	10x80		20x45	35x70	13x30		20x40	
12.7 mm		34.0 mm	105 mm	17x17		75x75	10x90		20x50	35x80	14x20		20x50	
13.0 mm		35.0 mm	110 mm	17.5x17.5		80x80	10x100		20x55	35x90	14x25		21x41	
13.5 mm		36.0 mm	114 mm	18x18		85x85	12x20		20x60	35x100	14x28		25x38	
13.8 mm		37.0 mm	115mm	18.5x18.5		90x90	12x25		20x65	35x125	15x20		25x50	
14.0 mm		38.1 mm		19x19			12x30		20x70	36x53	15x25		26x48	
14.8 mm		39.0 mm		20x20			12x36		20x80	36x60	15x30		30x60	
15.0 mm		39.5 mm		20.5x20.5			12x45		20x100	36x72	15x35		34x61	
16 mm		40.0 mm		21.5x21.5			12x50		22x30	36x80	16x22		35x60	
16.5 mm		41.3 mm		22x22			12x60		22x45	38x76	16x30		35x70	
17.0 mm		42.3 mm		22.2x22.2			12x75		23x46	40x50	16x32		38x62	
17.5 mm		42.7 mm		22.5x22.5			13x22		25x30	40x60	16x35		40x60	
18.0 mm		44.5 mm		23x23			13x26		25x32	40x70	17x30		40x76	
18.5 mm		45.2 mm		24x24			13x30		25x40	40x80	17x34		40x80	
19.0 mm		46.3 mm		25x25			13x39		25x45	40x100	18x25		40x90	
19.5 mm		47.6 mm		25.4x25.4			14x24		25x50	40x120	18x36		44.5x	
20mm		48.6mm		26x26			14x30		25x55	45x75	18x40		45x90	
20.5 mm		50.8 mm		27x27			15x20		25x60	45x95	19x25		48x76	
21 mm		52.0 mm		28x28			15x25		25x65	45x100	19x31.8		50x75	
21.3 mm		54.0 mm		28.5x28.5			15x30		25x70	45x115	19x38.1		50x100	
21.7 mm		55.0 mm		30x30			15x35		25x75	45x135	20x30		50x120	
22.2 mm							15x38		25x80	50x70	20x32		50x125	
22.5 mm							15x40		25x100	50x75	20x35		50x130	
							15x45		25x120	50x80	20x40		52x85	

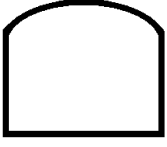

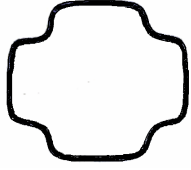
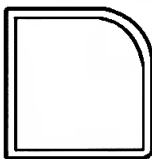
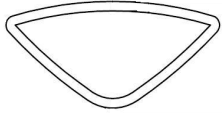
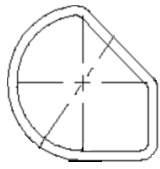
Round					Square				Rectangular				Oblate		Oval	
-------	--	---	---	---	--------	---	---	---	-------------	---	--	---	--------	---	------	---

15x50	25x125	50x90	20x45	56x92
15x55	25x150	50x100	20x50	60x90

Notice:

1. Specification (sizes and shapes) is increasing.
2. Customization in small q'ty cases available.
3. Material: 304/L, 310/S, 316/L, 201, 202, 430, 409/L ...etc.
4. Cutting and deburred available.
5. Partial mold of specific sizes belong to clients, contact us first.

※ Kwang Sheng Industrial Co., Ltd. reserves the rights to modify without notice.

Others Special offer		22x50	66x108
		25x38	70x100
		25x40	80x100
		25x42	
		25x45	
		25x47.5	
		25x50	
		25x60	
		30x50	
		30x60	
		30x70	
		30x80	
		32x64	
		35x55	
		35x60	
		35x65	
		35x70	
		35x80	
		36x72	
		36x76	
		37x70	
		40x70	
		40x76	
		40x80	
		45x80	
		45x90	
		45x100	
		48x76	
		54x89	
		60.3x104.8	
		63.5x120.7	