








## - Specialized in SPECIAL SHAPES tubes -

### Over than 400 sizes products offering (TIG welded):

Round, Square, Rectangular, Oval, Flat oval (Oblate),  
Trapezoid, Drip shape, Hexagon, Customized shapes...etc.

- ✓ Grade: 304/L, 310/S, 316/L, 409/L, 430, 436, 441, 444, 201, 202...etc.
- ✓ Outer Diameter:
  - ROUND  2.0mm ~ 115.0mm or others.
  - SQUARE  5mm×5mm ~ 80mm×80mm or others.
  - RECTANGULAR  4mm×6mm ~ 60mm×120mm or  
50mm×130mm or 30mm×150mm or others.
  - OVAL / OBLATE   4mm×8mm ~ 75mm×150m or others.
  - SPECIAL SHAPES Customization.
- ✓ Thickness: 0.3mm ~ 4.0mm.
- ✓ Small Trial quantities available.
- ✓ Produce/Design moldings available.
- ✓ Surface Treatment, Cutting, Deburred requirements available.



廣昇工業股份有限公司




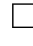

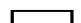




KWANG SHENG INDUSTRIAL CO., LTD.





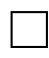
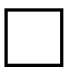
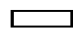
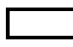
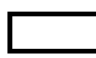
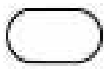

Factory: NO. 311, Sec. 4, Hai-Tien Road, 70966 Tainan, TAIWAN.

TEL: +886-(0)6-2567357 FAX: +886-(0)6-2567209

Website: <http://www.kstubes.com/kstube>

Email: [kstubes@yahoo.com.tw](mailto:kstubes@yahoo.com.tw)

Round				Square			Rectangular				Oblate		Oval	
5.0 mm	23.0 mm	60.5 mm	5x5	31x31	4x6	15x60	26x51	4.2x12.7	8x12					
6.0 mm	23.5 mm	62.0 mm	6x6	31.8x31.8	5x10	15x65	26x60	5x10	8x16					
6.35 mm	24.0 mm	63.5 mm	6.3x6.3	32.5x32.5	5x15	15x70	27x54	5x15	8x20					
6.5 mm	24.3 mm	65.0mm	6.5x6.5	33x33	6x12	15x75	28x56	6x12	10x15					
6.8 mm	25.0 mm	67.0mm	7x7	35x35	6x14	16x25	28x60	6x14	10x16					
6.9 mm	25.4 mm	68.0 mm	7.5x7.5	36x36	7x14	16x32	30x40	7x14	10x20					
7.0 mm	25.8 mm	70.0 mm	8x8	38x38	8x16	16x40	30x45	8x16	12x20					
7.5 mm	26.0 mm	72.0 mm	8.5x8.5	38.5x38.5	9x18	16x50	30x50	9x18	12x24					
7.3 mm	26.7 mm	74.0 mm	9x9	39.5x39.5	10x15	16x60	30x55	10x15	12x25					
8.0 mm	27.0 mm	75.0 mm	9.5x9.5	40x40	10x20	16x64	30x60	10x20	12x30					
8.5 mm	27.3 mm	76.2 mm	10x10	42x42	10x25	17x28	30x70	10x24	13x20					
9.0 mm	28.0 mm	80.0 mm	11x11	42.5x42.5	10x30	17x34	30x80	10x25	13x22					
9.25 mm	28.6 mm	82.0 mm	12x12	43x43	10x35	18x24	30x90	12x20	13x26					
9.5 mm	29.0 mm	85.0 mm	12.5x12.5	45x45	10x40	18x36	30x100	12x25	14x24					
10.0 mm	29.5 mm	86.0 mm	12.7x12.7	47.5x47.5	10x45	18x65	30x120	12x28	15x22					
10.3 mm	30.0 mm	87.0 mm	13x13	50x50	10x50	19x38	30x150	12x30	15x25					
10.5 mm	30.5 mm	88.0 mm	13.5x13.5	52x52	10x55	19x40	32x50	12x36	15x30					
11 mm	31.0 mm	89.1 mm	14x14	55x55	10x60	20x25	32x64	12x40	19x25.4					
11.5 mm	31.5 mm	90.0 mm	14.5x14.5	60x60	10x65	20x30	35x50	12.7x25.4	19x31.8					
11.8 mm	31.8 mm	95.4 mm	15x15	63.5x63.5	10x70	20x35	35x55	13x25	19x38					
12.0 mm	33.0 mm	100 mm	15.4x15.4	65x65	10x75	20x40	35x60	13x26	20x38					
12.5 mm	33.5 mm	101.4 mm	16x16	70x70	10x80	20x45	35x70	13x30	20x40					
12.7 mm	34.0 mm	105 mm	17x17	75x75	10x90	20x50	35x80	14x20	20x50					
13.0 mm	35.0 mm	110 mm	17.5x17.5	80x80	10x100	20x55	35x90	14x25	21x41					
13.5 mm	36.0 mm	114 mm	18x18	85x85	12x20	20x60	35x100	14x28	25x38					
13.8 mm	37.0 mm	115mm	18.5x18.5	90x90	12x25	20x65	35x125	15x20	25x50					
14.0 mm	38.1 mm		19x19		12x30	20x70	36x53	15x25	26x48					
14.8 mm	39.0 mm		20x20		12x36	20x80	36x60	15x30	30x60					
15.0 mm	39.5 mm		20.5x20.5		12x45	20x100	36x72	15x35	34x61					
16 mm	40.0 mm		21.5x21.5		12x50	22x30	36x80	16x22	35x60					
16.5 mm	41.3 mm		22x22		12x60	22x45	38x76	16x30	35x70					
17.0 mm	42.3 mm		22.2x22.2		12x75	23x46	40x50	16x32	38x62					
17.5 mm	42.7 mm		22.5x22.5		13x22	25x30	40x60	16x35	40x60					
18.0 mm	44.5 mm		23x23		13x26	25x32	40x70	17x30	40x76					
18.5 mm	45.2 mm		24x24		13x30	25x40	40x80	17x34	40x80					
19.0 mm	46.3 mm		25x25		13x39	25x45	40x100	18x25	40x90					
19.5 mm	47.6 mm		25.4x25.4		14x24	25x50	40x120	18x36	44.5x					
20mm	48.6mm		26x26		14x30	25x55	45x75	18x40	45x90					
20.5 mm	50.8 mm		27x27		15x20	25x60	45x95	19x25	48x76					
21 mm	52.0 mm		28x28		15x25	25x65	45x100	19x31.8	50x75					
21.3 mm	54.0 mm		28.5x28.5		15x30	25x70	45x115	19x38.1	50x100					
21.7 mm	55.0 mm		30x30		15x35	25x75	45x135	20x30	50x120					
22.2 mm					15x38	25x80	50x70	20x32	50x125					
22.5 mm					15x40	25x100	50x75	20x35	50x130					
					15x45	25x120	50x80	20x40	52x85					

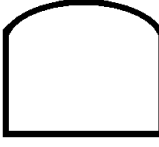



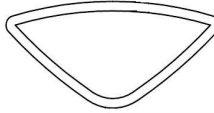
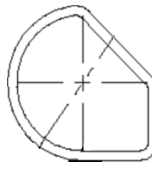
Round				Square				Rectangular				Oblate		Oval	
-------	--	---	---	--------	---	---	---	-------------	---	--	---	--------	---	------	---

15x50	25x125	50x90	20x45	56x92
15x55	25x150	50x100	20x50	60x90

**Notice:**

1. Specification (sizes and shapes) is increasing.
2. Customization in small q'ty cases available.
3. Material: 304/L, 310/S, 316/L, 201, 202, 430, 409/L ...etc.
4. Cutting and deburred available.
5. Partial mold of specific sizes belong to clients, contact us first.

※ Kwang Sheng Industrial Co., Ltd. reserves the rights to modify without notice.

Others Special offer		22x50	66x108
		25x38	70x100
		25x40	80x100
		25x42	
		25x45	
		25x47.5	
		25x50	
		25x60	
		30x50	
		30x60	
		30x70	
		30x80	
		32x64	
		35x55	
		35x60	
		35x65	
		35x70	
		35x80	
		36x72	
		36x76	
		37x70	
		40x70	
		40x76	
		40x80	
		45x80	
		45x90	
		45x100	
		48x76	
		54x89	
		60.3x104.8	
		63.5x120.7	