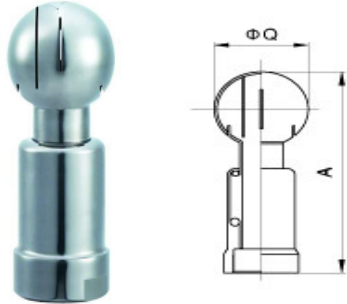




Product Parameter Amendment

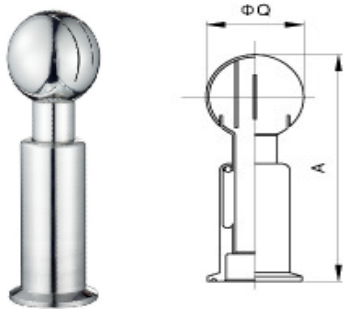
Threaded (BSPT) Rotary Cleaning Ball



SIZE	A	ΦQ	Unit Price \$		N.W
			304	316L	
1"	140.0	53.0	11.72	15.98	
1-1/4"	160.0	53.0	15.98	24.51	
1-1/2"	170.0	65.0	20.25	29.84	
2"	192.0	76.0	24.51	35.16	

Notice:

Clamped Rotary Cleaning Ball



SIZE	A	ΦQ	304	316L	N.W
1"	138.0	53.0	11.72	15.98	
1-1/4"	138.0	53.0	11.72	15.98	
1-1/2"	168.0	63.0	11.72	15.98	
2"	190.0	76.0	20.25	29.84	

Notice:

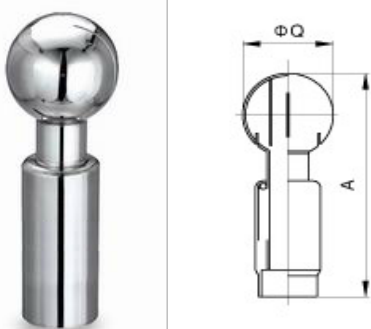
Bolted Rotary Cleaning Ball



SIZE	A	ΦQ	304	316L	N.W
1"	135.0	53.0	11.72	15.98	
1-1/4"	135.0	53.0	11.72	15.98	
1-1/2"	168.0	63.0	15.98	22.38	
2"	190.0	76.0	25.57	35.80	
2-1/2"					

Notice:

Welded Rotary Cleaning Ball



SIZE	A	ΦQ	304	316L	N.W
1"	143.0	53.0	10.66	14.92	
1-1/4"	143.0	53.0	10.66	14.92	
1-1/2"	180.0	63.0	10.66	14.92	
2"	200.0	76.0	19.18	26.64	
2-1/2"					

Notice: